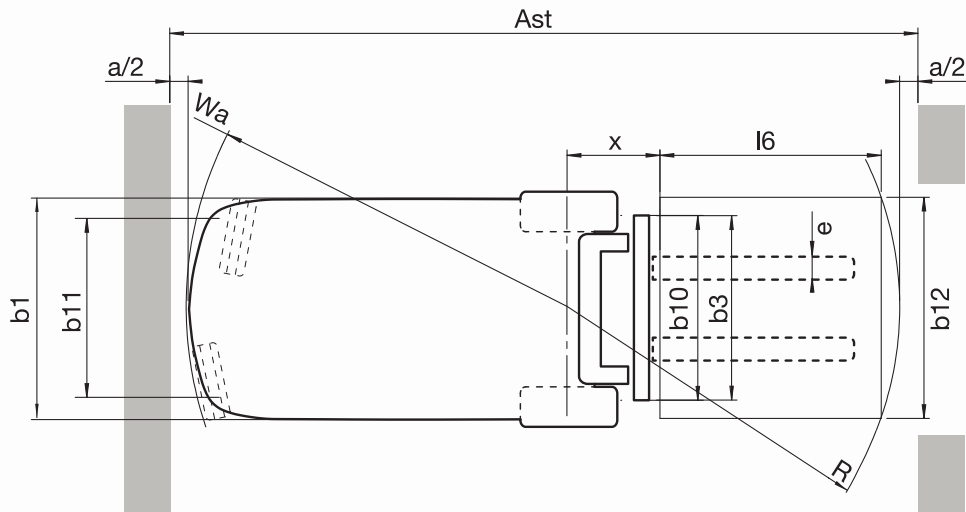
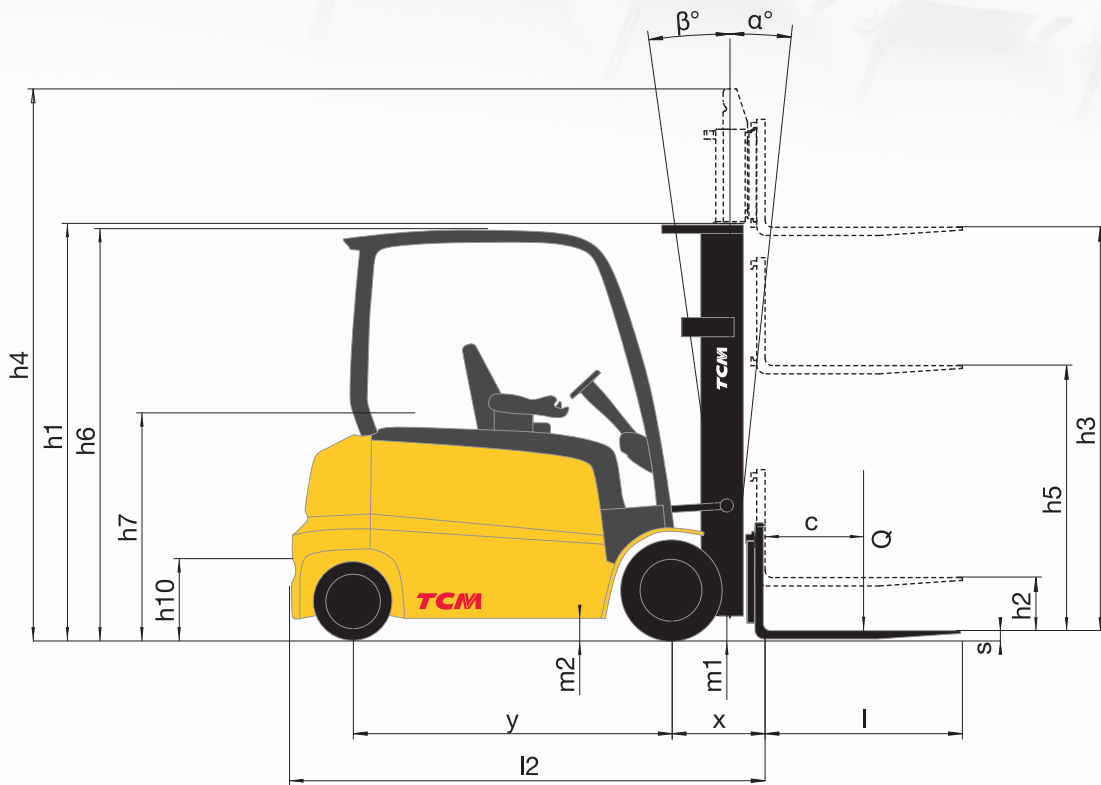


TECHNICAL SPECIFICATIONS

FHB25-35(L)-F2



DIMENSIONS



FHB25-35(L)-F2

STANDARD AND OPTIONS LIST

	ALL MODELS
GENERAL	
4-wheel chassis, 80 volts, front wheel dual drive	●
Forks with a length of 1,070mm, equipped with load backrest	●
3-valve hydraulic fingertip control mounted on an ergonomic armrest	●
Key pre-set economy or high performance mode (ECO / PRO)	●
Battery compartment side door	●
Multifunctional interactive full colour display	●
Intelligent curve control	●
Tiltable steering column	●
TruckTool setup and diagnostics	●
PDS (Seat Switch Timeout = all functions are disabled, the truck will go into the stop mode, automatically applied parking brake)	●
Full-suspension vinyl Grammer MSG65 seat	●
CE name plates -language markings	●
Operations and Maintenance Manual	●
DIN battery connectors on frame	●
Battery door detection sensor	●
Fingertip control armrest	●
Manual control levers	●
Dual Joystick	●
POWER SOURCE	
Integrated Li-ion battery*	●
Lead acid battery	●
FRAME	
Battery sideway exchange chassis	●
Roller bed, chassis integrated (for battery SWE)	●
Battery tray (for roller guided battery SWE)	●
Battery sideway exchange tool	●
Li-ion battery easy charging	●
T-bar battery stand	●
LIGHTING	
LED work lights (2 at the front and 1 at the rear)	●
Automated reversing light	●
Auto light switch	●
Amber strobe	●
Amber strobe mounted low	●
"Blue point" rear light	●
"Blue point" rear light mounted low	●
ELECTRICAL SYSTEM	
Smart backup alarm	●
Current output	●
12V connector	●
Operator presence pedal	●
Electronic differential lock	●
Dual pedal layout	●
Drive direction selection switch on ergonomic armrest (Forward-Backward) *Only on FC controls	●
Drive direction lever in steering column (Forward-Neutral-Reverse)	●
Road light kit	●
PIN code access with start switch	●
Automated lift controls	●
Automatic tilt centering via the F2 button with FC TILT/C	●
Load weight indicator	●
OPERATOR'S CABIN	
Grammer MSG65 seat	●
Grammer MSG65 with heater	●
Grammer MSG65 with cloth upholstery	●
Grammer MSG65 with cloth upholstery and heater	●
Grammer MSG75	●
Grammer MSG75 with heater	●
Grammer MSG75 with cloth upholstery	●
Grammer MSG75 with cloth upholstery and heater	●
Backrest extension	●

	ALL MODELS
ACCESSORIES	
Rear view mirror	●
External rear view mirror	●
Dead angle mirror	●
Wide view mirror	●
A4 size paper holder	●
Accessory clamp	●
Fire extinguisher	●
CABIN	
Steel doors, available in combination with options REAR and FR+TP	●
PVC doors, available in combination with options REAR and FR+TP	●
Sun visor, available in combination with option FR+TP	●
Interior package, available in combination with REAR and door	●
Heater, available in combination with REAR and steel doors, 2000 W	●
Safety doors	●
Container design. This option is available only with sideway battery exchange option SWE.	●
Delux cabin	●
EXTERIOR	
Special colour (RAL) for the frame and counterweight	●
FORKS & CARRIAGE	
Various fork lengths (920 - 1970mm), widths (100/120mm) and thicknesses (40/45mm), fork deletion	●
Side shifter W1000mm	●
Integrated side shifter W1000mm	●
Fork positioner+ integrated side shifter	●
Load backrest	●
HYDRAULIC SYSTEM	
3/4/5-way valve armrest-mounted fingertip control	●
3/4-way valve manual control	●
Lift Control	●
Double action FC 3 v, for clamp usage	●
Double action FC 4 v, for clamp usage	●
Double action MC 3 v, for clamp usage	●
Double action MC 4 v, for clamp usage	●
Hydraulic accumulator	●
Adjustable hydraulic pressure (for 3rd and 4th valve)	●
Food grade hydraulic oil	●
Biodegradable hydraulic oil	●
Cold area hydraulic oil VG15	●
Hot area hydraulic oil VG46	●
3-way piping	●
4-way piping	●
TYRES	
Solid Pneumatic Tyres	●
Pneumatic Tyres	●
Non-marking Solid Tyres	●
Non-marking Cushion tyres	●
Cushion tyres	●
Solid Pneumatic Twin Tyres	●
Wide Stance drive wheels	●

*Li-ion battery option is available in selected regions

KEY ● Standard ● Option



TCM
Always Evolving

info@tcm.eu | tcm.eu

Mitsubishi Logisnext Europe BV reserves the right to make any changes without notice concerning colours, equipment or specifications detailed in this brochure, or to discontinue individual models. The colours of vehicles delivered may differ slightly from those in this brochure. The specifications vary for different countries depending on local market conditions. Please consult your local dealer to ensure that the vehicle delivered accords with your expectations. All values are determined based on the standard condition and may vary, due to motor and system tolerances, condition of the truck and operational conditions. Some equipment shown on photos are optional. CESC2152