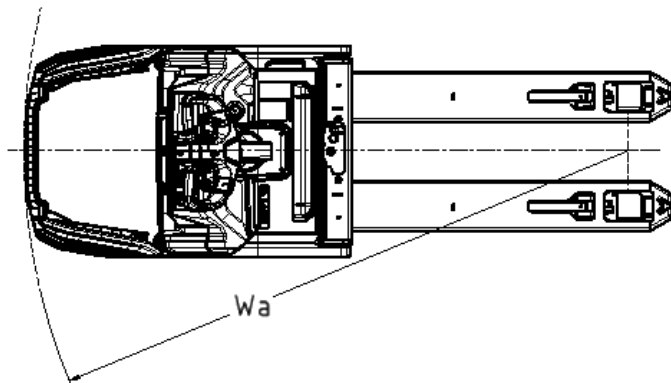
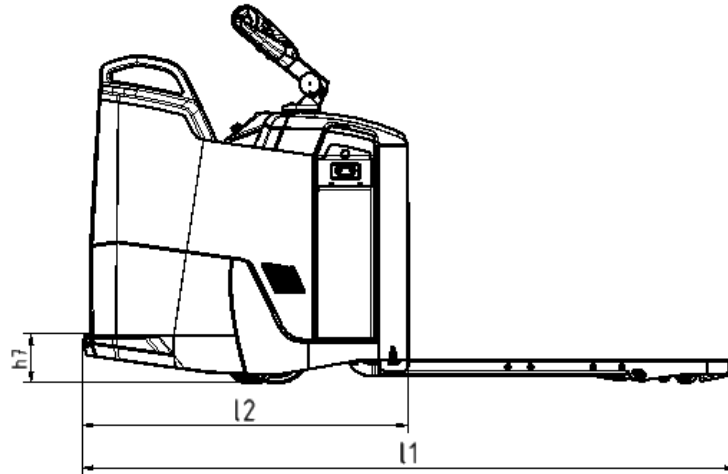


Power pallet truck with fixed platform

PTP/R 250



A high-performance low lifter for loading/unloading, cross docking or transport applications. Equipped as standard with power steering and a fixed, rear entry driver protected platform with excellent damping. Traction, damping and stability control system to provide top class productivity and comfort. Optional adjustable platform damping makes this low lifter the perfect partner in extended work cycles and multi shift operations.



| Mast type | Lift height H / h12 | Height of mast lowered h1 | Max mast height h4 |
|-----------------|---------------------|---------------------------|--------------------|
| Standard/Duplex | | | |
| Triplex | | | |

TCM

| | | | | | | |
|---------------------|------------------|--|---|-----------|------------------------|-----------------------|
| Distinguishing mark | 0 | Specification | | PTP/R 250 | | |
| | 1.2 | Manufacturer's type designation | | PLR 250 | | |
| | 1.3 | Drive: electric (battery or mains), diesel, petrol, fuel gas | | Electric | | |
| | 1.4 | Operator type: hand, pedestrian, standing, seated, order-picker, tow tractor | | Standing | | |
| | 1.5 | Load capacity/rated load | Q | t | 2500 | |
| | 1.6 | Load centre distance | c | mm | 600 | |
| | 1.7 | Rated drawbar pull | F | N | | |
| | 1.8 | Load distance, centre of load axle to fork | X | | 913 | |
| | 1.9 | Wheelbase | y | mm | 1375 | |
| Weight | 2.1 | Service weight incl battery | | kg | 820 kg | |
| | 2.2 | Axle load, with load, front/rear | | kg | 1207/2110 | |
| | 2.3 | Axle load, without load, front / rear | | kg | 648/169 | |
| | 2.4 | Axle load, fork outreached with load, front / rear | | kg | | |
| | 2.5 | Axle load, fork retracted with load, front / rear | | kg | | |
| Tyres, chassis | 3.1 | Tyres | | | Vulcollan | |
| | 3.2 | Tyre size, drive side | | mm | 235x75 | |
| | 3.3 | Tyre size, load side | | mm | 85x75 (Bogie) | |
| | 3.4 | Dimensions additional wheels (castor wheels) | | mm | 150x60 | |
| | 3.5 | Wheels, number front/rear (drive side/load side, x = driven wheels) | | | 1x2/4 (Bogie) | |
| | 3.6 | Track, drive side | b10 | mm | 520 | |
| | 3.7 | Track, load side | b11 | mm | 385 | |
| Dimensions | 4.1 | Tilt of mast/fork carriage, forward/backward | | Grad | | |
| | 4.2 | Height, mast lowered | h1 | mm | | |
| | 4.3 | Free lift | h2 | mm | | |
| | 4.4 | Lift height H = h13+h3 | H | mm | 220 | |
| | 4.5 | Height, mast extended | h4 | mm | | |
| | 4.6 | Straddle lift | h5 | mm | | |
| | 4.7 | Height of overhead guard (cabin) | h6 | mm | | |
| | 4.8 | Seat height/stand height | h7 | mm | 170 | |
| | 4.10 | Height of wheel arms | h8 | mm | | |
| | 4.11 | Additional lift | h9 | mm | | |
| | 4.12 | Coupling height | | mm | | |
| | 4.14 | Stand height, elevated | h12 | mm | | |
| | 4.15 | Height lowered | h13 | mm | 85 | |
| | 4.19 | Overall length | l1 | mm | 2292 | |
| | 4.20 | Length to face of forks | l2 | mm | 1141 | |
| | 4.21 | Overall width | b1 | mm | 740 | |
| | 4.21.1 | Width over stabilizers | | mm | | |
| | 4.22 | Fork dimensions | s/e/l | mm | 1150/175/60 | |
| | 4.23 | Fork carriage to ISO 2328, clas / form A, B | | | | |
| | 4.24 | Width of fork carriage | b3 | mm | | |
| | 4.25 | Width over forks, min/max | b5 | mm | 560 (min 480/max 640) | |
| | 4.26 | Distance between wheel arms | b4 | mm | | |
| | 4.27 | Width across guide rolls | b6 | mm | | |
| | 4.28 | Reach distance | l4 | mm | | |
| | 4.29 | Reach lateral | b7 | mm | | |
| | 4.30 | Reach lateral from vehicle centerline | b8 | mm | | |
| | 4.31 | Ground clearance, mast | m1 | mm | | |
| | 4.32 | Ground clearance, centre of wheelbase | m2 | mm | 25 | |
| | 4.33 | Aisle width with pallet 1000 x 1200, crosswise | Ast | mm | 2865 | |
| | 4.34 | Aisle width for pallet 800 x 1200, lengthwise | Ast | mm | 2751 | |
| | 4.35 | Turning radius | Wa | mm | 2059 | |
| | 4.37 | Length incl reach legs | l7 | mm | | |
| | 4.38 | Distance to swivelling-fork pivot | 0 | mm | | |
| | Performance data | 5.1 | Travel speed, with/without load | | km/h | 10/10 (opt 10,5/12,5) |
| | | 5.1.1 | Travel speed with/without load, backwards | | km/h | |
| | | 5.2 | Lift speed, with/without load | | m/s | 0,06/0,09 |
| | | 5.3 | Lowering speed, with/without load | | m/s | 0,11/0,09 |
| | | 5.4 | Reach speed, with / without load | | m/s | |
| 5.7 | | Gradient, with/without load | | % | | |
| 5.8 | | Max gradeability, with / without load, 5 min rating | | % | 11/15 | |
| 5.9 | | Acceleration time 0-10 m, with/without load | | s | | |
| 5.10 | | Service brake: electric, hydraulic | | | Electric | |
| 5.10.1 | | Parking brake: electric, hydraulic | | | El. - drive motor | |
| Electric engine | 6.1 | Drive motor, rating S2 60 min | | kW | 2,4 | |
| | 6.2 | Lift motor | | kW | 2,2 (5%) | |
| | 6.3 | Battery according to DIN 43531/35/36 | A,B,C | | | |
| | 6.4 | Battery voltage / Battery capacity | | V/Ah | 24 (min 222 - max 300) | |
| | 6.5 | Battery weight | | kg | min 250 - max 300 | |
| | 6.6 | Power consumption according to VDI cycle | | kWh/h | | |
| Additional data | 8.1 | Speed regulation | | | AC | |
| | 10.1 | Operating pressure attachments | | bar | | |
| | 10.2 | Oil flow for attachments | | l/min | | |
| | 10.7 | Noise level at operator's ear, according to EN 12 053 | | db(A) | | |
| 11.1 | Notes | | | | | |

* Varies according to battery size (i) Other couplings heights available; (ii) See drive speed chart; (iii) Optional

All rights reserved to change above specification