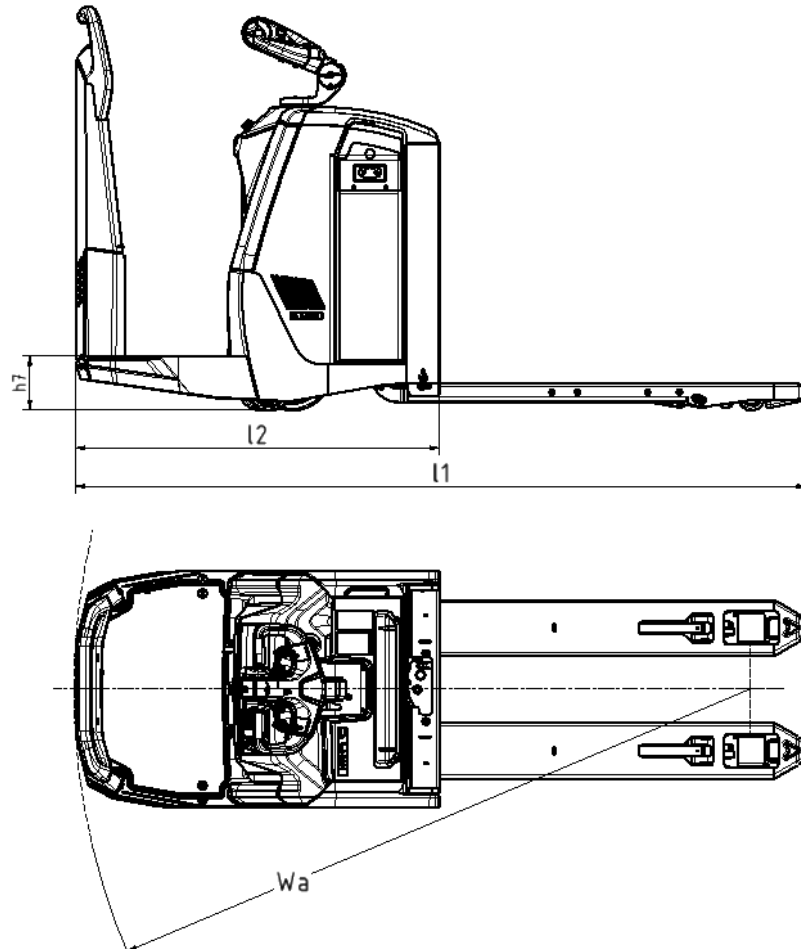


Power pallet truck with fixed platform

PTP/S 250



A high-performance low lifter for order picking or transport applications. Equipped as standard with power steering and a fixed, side entry driver protected platform with excellent damping. Traction, damping and stability control system to provide top class productivity and comfort. Optional adjustable platform damping makes this low lifter the perfect partner in extended work cycles and multi shift operations.



Mast type	Lift height H / h12	Height of mast lowered h1	Max mast height h4
Standard/Duplex			
Triplex			

TCM

Distinguishing mark	0	Specification		PTP/S 250		
	1.2	Manufacturer's type designation		PLS 250		
	1.3	Drive: electric (battery or mains), diesel, petrol, fuel gas		Electric		
	1.4	Operator type: hand, pedestrian, standing, seated, order-picker, tow tractor		Standing		
	1.5	Load capacity/rated load	Q	t	2500	
	1.6	Load centre distance	c	mm	600	
	1.7	Rated drawbar pull	F	N		
	1.8	Load distance, centre of load axle to fork	X		913	
	1.9	Wheelbase	y	mm	1375	
Weight	2.1	Service weight incl battery		kg	800 kg	
	2.2	Axle load, with load, front/rear		kg	1193/2107	
	2.3	Axle load, without load, front / rear		kg	634/166	
	2.4	Axle load, fork outreached with load, front / rear		kg		
	2.5	Axle load, fork retracted with load, front / rear		kg		
Tyres, chassis	3.1	Tyres			Vulcollan	
	3.2	Tyre size, drive side		mm	235x75	
	3.3	Tyre size, load side		mm	85x75 (Bogie)	
	3.4	Dimensions additional wheels (castor wheels)		mm	150x60	
	3.5	Wheels, number front/rear (drive side/load side, x = driven wheels)			1x2/4 (Bogie)	
	3.6	Track, drive side	b10	mm	520	
	3.7	Track, load side	b11	mm	385	
Dimensions	4.1	Tilt of mast/fork carriage, forward/backward		Grad		
	4.2	Height, mast lowered	h1	mm		
	4.3	Free lift	h2	mm		
	4.4	Lift height H = h13+h3	H	mm	220	
	4.5	Height, mast extended	h4	mm		
	4.6	Straddle lift	h5	mm		
	4.7	Height of overhead guard (cabin)	h6	mm		
	4.8	Seat height/stand height	h7	mm	170	
	4.10	Height of wheel arms	h8	mm		
	4.11	Additional lift	h9	mm		
	4.12	Coupling height		mm		
	4.14	Stand height, elevated	h12	mm		
	4.15	Height lowered	h13	mm	85	
	4.19	Overall length	l1	mm	2292	
	4.20	Length to face of forks	l2	mm	1141	
	4.21	Overall width	b1	mm	740	
	4.21.1	Width over stabilizers		mm		
	4.22	Fork dimensions	s/e/l	mm	1150/175/60	
	4.23	Fork carriage to ISO 2328, clas / form A, B				
	4.24	Width of fork carriage	b3	mm		
	4.25	Width over forks, min/max	b5	mm	560 (min 480/max 640)	
	4.26	Distance between wheel arms	b4	mm		
	4.27	Width across guide rolls	b6	mm		
	4.28	Reach distance	l4	mm		
	4.29	Reach lateral	b7	mm		
	4.30	Reach lateral from vehicle centerline	b8	mm		
	4.31	Ground clearance, mast	m1	mm		
	4.32	Ground clearance, centre of wheelbase	m2	mm	25	
	4.33	Aisle width with pallet 1000 x 1200, crosswise	Ast	mm	2865	
	4.34	Aisle width for pallet 800 x 1200, lengthwise	Ast	mm	2751	
	4.35	Turning radius	Wa	mm	2059	
	4.37	Length incl reach legs	l7	mm		
	4.38	Distance to swivelling-fork pivot	0	mm		
	Performance data	5.1	Travel speed, with/without load		km/h	10/10 (opt 10,5/12,5)
		5.1.1	Travel speed with/without load, backwards		km/h	
		5.2	Lift speed, with/without load		m/s	0,06/0,09
		5.3	Lowering speed, with/without load		m/s	0,11/0,09
		5.4	Reach speed, with / without load		m/s	
5.7		Gradient, with/without load		%		
5.8		Max gradeability, with / without load, 5 min rating		%	11/15	
5.9		Acceleration time 0-10 m, with/without load		s		
5.10		Service brake: electric, hydraulic			Electric	
5.10.1		Parking brake: electric, hydraulic			El. - drive motor	
Electric engine	6.1	Drive motor, rating S2 60 min		kW	2,4	
	6.2	Lift motor		kW	2,2 (5%)	
	6.3	Battery according to DIN 43531/35/36	A,B,C			
	6.4	Battery voltage / Battery capacity		V/Ah	24 (min 222 - max 300)	
	6.5	Battery weight		kg	min 250 - max 300	
	6.6	Power consumption according to VDI cycle		kWh/h		
Additional data	8.1	Speed regulation			AC	
	10.1	Operating pressure attachments		bar		
	10.2	Oil flow for attachments		l/min		
	10.7	Noise level at operator's ear, according to EN 12 053		db(A)		
11.1	Notes					

* Varies according to battery size (i) Other couplings heights available; (ii) See drive speed chart; (iii) Optional

All rights reserved to change above specification